

Ratings

Voltage: 300 V
 Temperature: -20 ~ 80 °C

Conductor

Gauge: 18 AWG
 Material: bare copper strands
 Strand size: Ø 0.16 mm
 Strand count: 41

Insulator

Material: PVC, 80 °C
 Color: white
 Outer diameter: 2.05 ±0.10 mm
 Durometer: 85 Shore A

Shield

Type: spiral
 Material: tinned copper strands
 Strand size: Ø 0.16 mm
 Strand count: 41

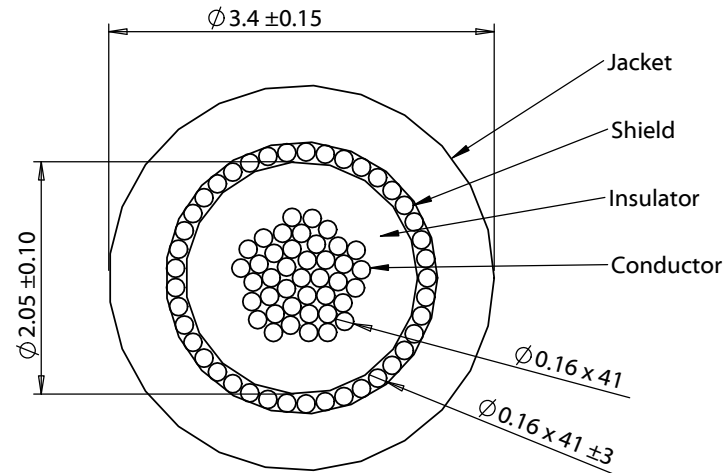
Outer jacket

Material: PVC, 80 °C
 Durometer: 79 Shore A
 Color: black
 Thickness: 0.38 mm
 Diameter: 3.4 ±0.15 mm

Wire marking: E339579 AWM STYLE 1185 18AWG 80°C 300V VW-1 --- C AWM I A 80°C 300V FT1 TENSILITY

Tests

Voltage test: 300 V
 Spark test: 3.0/4.0 kV
 Max resistance at 20 °C: 23.2 ohm/km
 Tensile strength: 1.05 kgf/mm²
 After aging at 113 ±2 °C for 7 days:
 Minimum tensile strength 70 % original
 Minimum elongation 65 % original
 Heat shock: 121 ±1 °C /1 hour, no observed degradation
 Deformation: 121 ±1 °C /1 hour, ≤ 50 %
 Cold bend: -10 ±1 °C /1 hour, no observed cracking
 Flammability: VW-1
 Dielectric test: 2000 V ac for 1 minute without breakdown



REVISION	DATE	DESCRIPTION
A	10/15/2010	Initial release
A1	8/13/2012	Added operating temperature
A2	7/20/2018	Corrected tolerance

PREPARED:

VERIFIED:

DIMENSIONS ARE IN MILLIMETERS

TOLERANCES:
 X: ± 0.5 mm
 X.X: ± 0.3 mm
 X.XX: ± 0.05 mm

NOTES:
 RoHS and REACH compliant

Electrical test: no open, no short circuit, no intermittent

DESCRIPTION:
 Wire, 1C BC, 18 AWG, UL1185, 300V, 80C, 3.4 mm, shielded, VW-1, PVC, 79A

TENSILITY

20802 Sockeye Place #130
 Bend, OR 97701 USA
 tel 541.323.3228 fax 541.323.4202
 800 877.670.7118 www.tensility.com

SIZE A	PART NUMBER 30-00004	
SCALE: 12:1	WEIGHT:	SHEET 1 OF 1