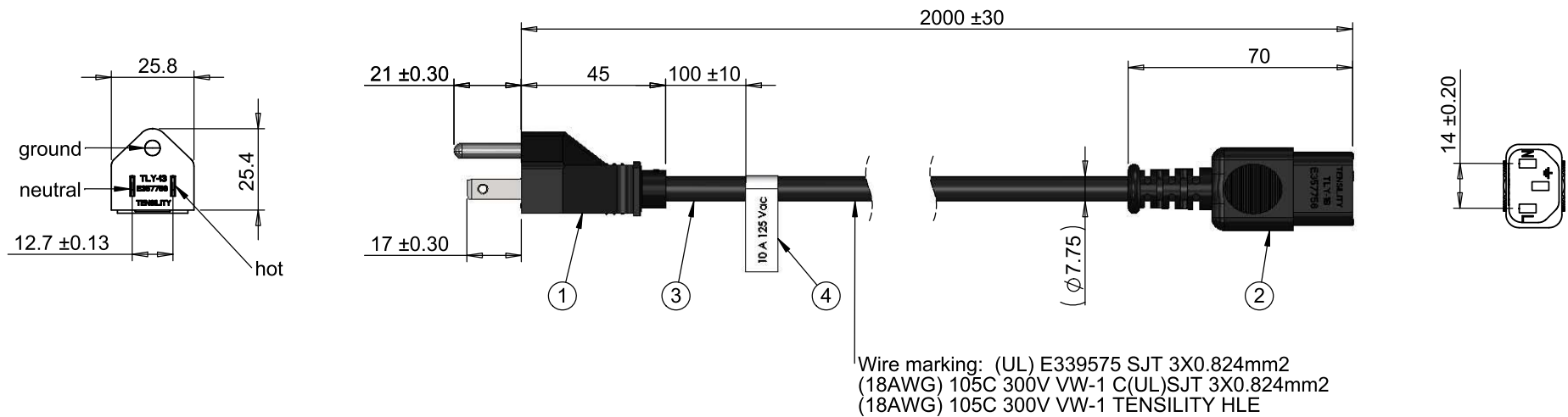


ITEM NO.	PART NUMBER	DESCRIPTION	QTY.	COMPONENT NOTES
1	TLY-13	NEMA 5-15P	1	black overmold
2	TLY-18	C13 female	1	black overmold
3	30-00248	Wire, 3C, 18 AWG, UL SJT, 300V, 105°C, 7.75 mm, VW-1, PVC	1	
4	Label	Adhesive flag, 15x100 mm	1	white with black font



Wiring Diagram		
5-15P	wire color	C13
hot	black	line
neutral	white	neutral
ground	green	ground

Notes:
Electrical requirements: 10 A at 125 Vac

Revision:	Date:	Description:	Prepared:	Notes: RoHS compliant Function test: no open, no short circuit, no intermittent Description: Ac cord, 2000 mm, U.S, NEMA 5-15P plug, TLY-13 to C13, TLY-18, 18 AWG, SJT wire, 30-00248	<h1>TENSILITY</h1> <p>tel 1.541.323.3228 800 877.670.7118 fax 1.541.323.4202 web tensility.com</p>
A	12/19/2012	Initial release	DN		
			Verified:		
			PS		
			Dimensions are in millimeters. Tolerances: X: ± 0.5 mm X.X: ± 0.3 mm X.XX: ± 0.05 mm		
				Size:	Part number:
				A	11-00017
				Scale: 1:5	Sheet 1 of 1