

Ratings

Voltage: 150 V
 Temperature: 80 °C

Conductor

Size: 32 AWG
 Material: tinned copper
 Stranding: 7/0.08

Insulator

Material: LD-PE
 Color: white, black, red
 Nominal thickness: 0.15
 Outer diameter: 0.55 ± 0.05

Shield

Type: spiral
 Material: tinned copper
 Coverage: $\geq 85\%$

Outer jacket

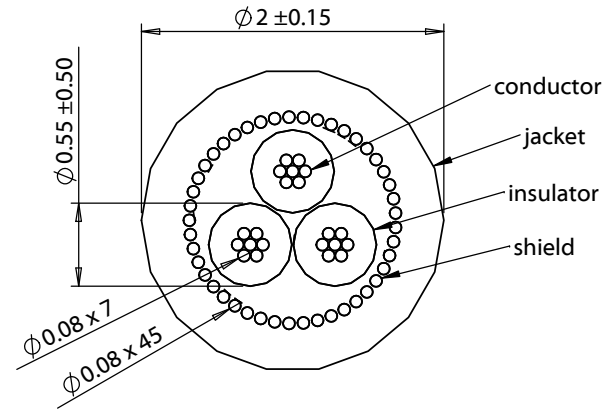
Material: soft PVC, 80~90P
 Color: white
 Thickness: 0.25
 Diameter: 2.0 ± 0.15

Wire marking

none

Tests

Flamability: VW-1



Revision:	Date:	Description:	Prepared:	Notes: RoHS and REACH compliant	TENSILITY tel 1.541.323.3228 800 877.670.7118 fax 1.541.323.4202 web tensility.com
A	07/30/2013	Initial release	Verified:		
			Dimensions are in millimeters. Tolerances: X: ± 0.5 mm X.X: ± 0.3 mm X.XX: ± 0.05 mm	Description:	Size: A
				Wire, 3C, 32 AWG, 150V, 80C, 2.0 mm, spiral shield, VW-1, PVC, 66A, white	Part number: 30-00278_revA
					Scale: 20:1

5

↑

4

3

2

1