

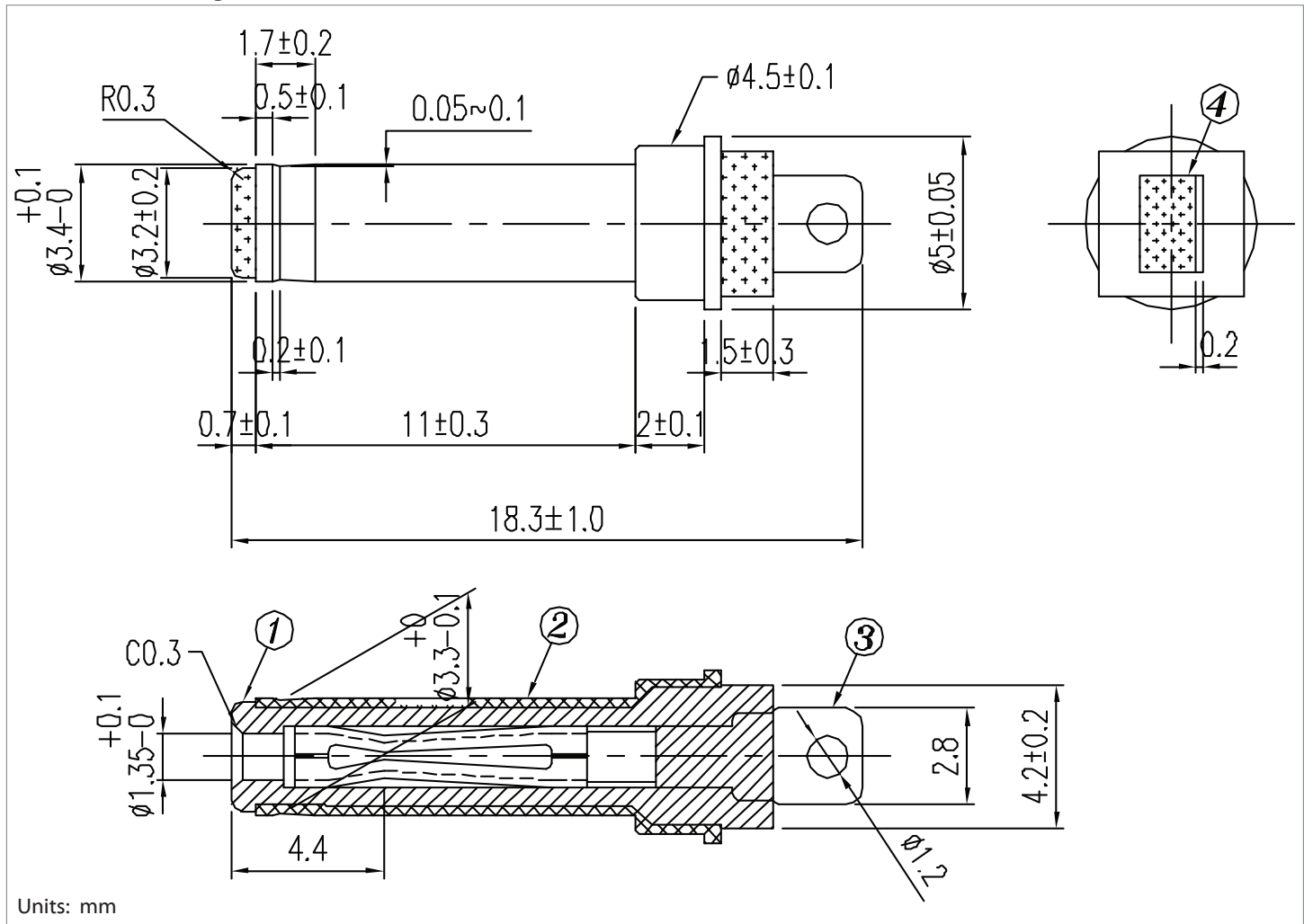
Materials:

1	PBT 15% glass fiber, black
2	brass, nickel-plated, 2µm min.
3	P-bronze, nickel-plated, 2µm min.
4	POM, yellow

Notes:

RoHS compliant

Mechanical drawing:



Units: mm

tolerance X: ± 0.5 mm .X: ± 0.3 mm .XX: ± 0.05 mm
 applicable unless otherwise indicated in specification or on drawings

Initial

Date

Revision notes:

Rev	Date	Description
A	November 4, 2009	initial release

Specification Approval

Spec sign-off verifies that you have reviewed the entire specification, tested a sample of the product, and confirm that it meets your requirements. This specification reflects the part as it will be ordered. Orders will not be processed until the specification pages have been initialed and the approval page has been signed. This specification is confidential and is not to be transmitted without prior approval from Tensility.

Signature _____

Title _____

Name _____

Date _____

Company _____

Branch _____