

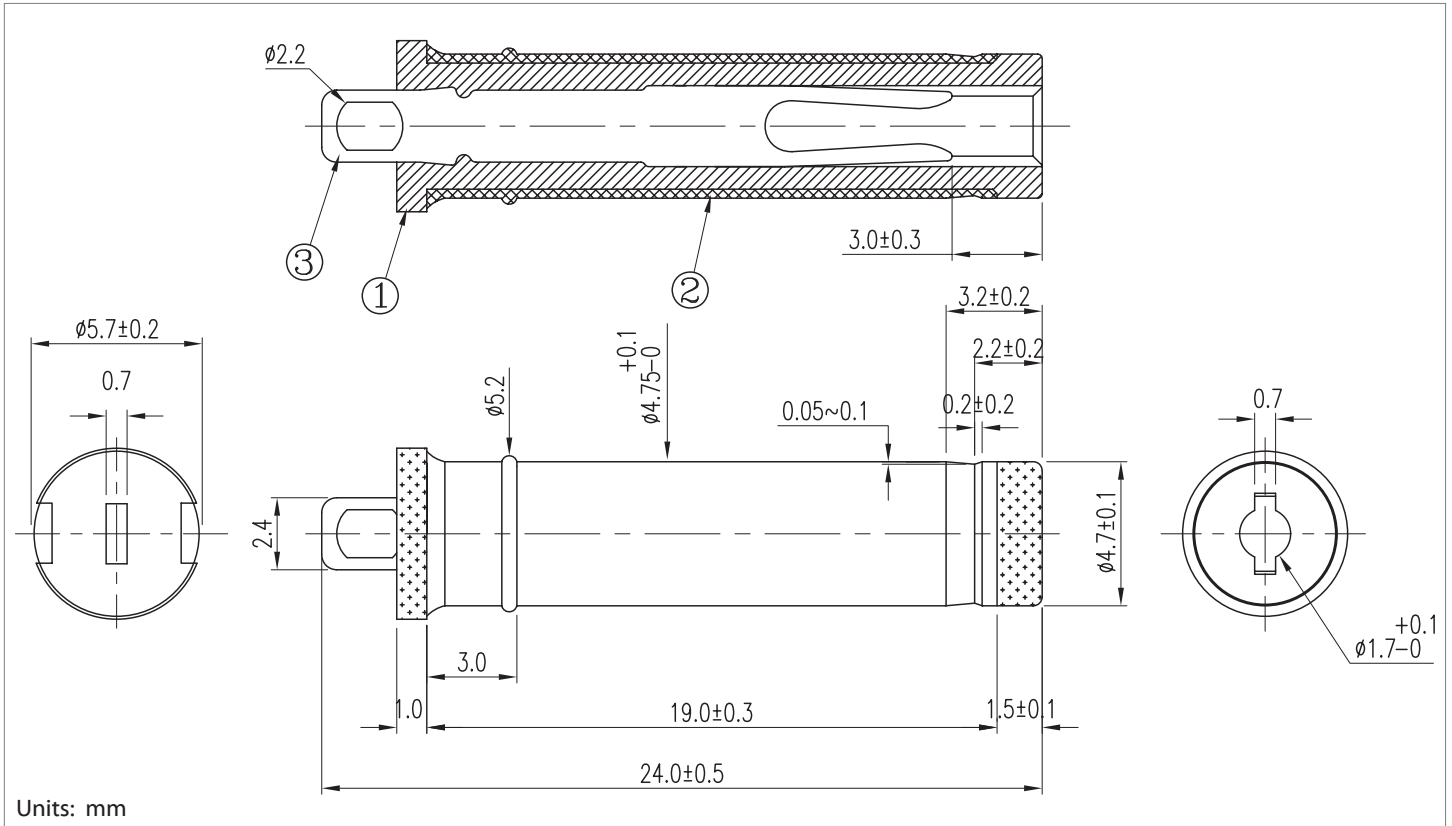
Materials:

| | |
|---|------------------------------------|
| 1 | PBT + 15% GF, yellow |
| 2 | brass, nickel-plated, 2 µm min. |
| 3 | P-bronze, nickel-plated, 2 µm min. |

Notes:

RoHS compliant

Mechanical drawing:



tolerance X: ±0.5 mm .X: ±0.3 mm .XX: ±0.05 mm
 applicable unless otherwise indicated in specification or on drawings

Initial

Date

Revision notes:

| Rev | Date | Description |
|-----|--------------------|-------------------------|
| A | September 14, 2010 | initial release |
| A1 | May 11, 2012 | updated insulator color |
| A2 | February 6, 2013 | added connector rating |
| A3 | May 9, 2014 | updated part |
| | | |

| Prepared: | Verified: |
|-----------|-----------|
| | |

Specification Approval

Spec sign-off verifies that you have reviewed the entire specification, tested a sample of the product, and confirm that it meets your requirements. This specification reflects the part as it will be ordered. Orders will not be processed until the specification pages have been initialed and the approval page has been signed. This specification is confidential and is not to be transmitted without prior approval from Tensility.

Signature _____ Title _____
 Name _____ Date _____
 Company _____ Branch _____