

Ratings

Voltage: 30 V
 Operating temperature: -35° to 80° C

Conductor

Conductor count: 4
 Gauge: 24 AWG 0.2 mm²
 Material: tinned copper strands
 Strand size: $\varnothing 0.08 \times 40$
 Max resistance @ 20 °C: 94.2 ohm/km

Insulator

Material: PVC, 42P
 Color: white, black, red, yellow
 Diameter: $\varnothing 1.1 \pm 0.10$ mm
 Nominal thickness: 0.25 mm
 Resistance at 20 °C: 10 M Ω / km

Shield

Type: braided
 Material: tinned copper strands
 Stranding: 16/8/ $\varnothing 0.10$ mm
 Coverage: 90% minimum

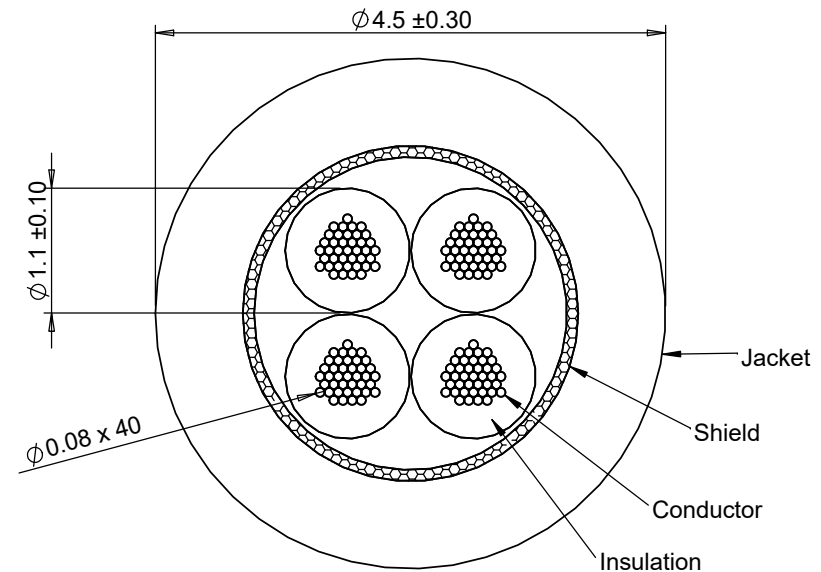
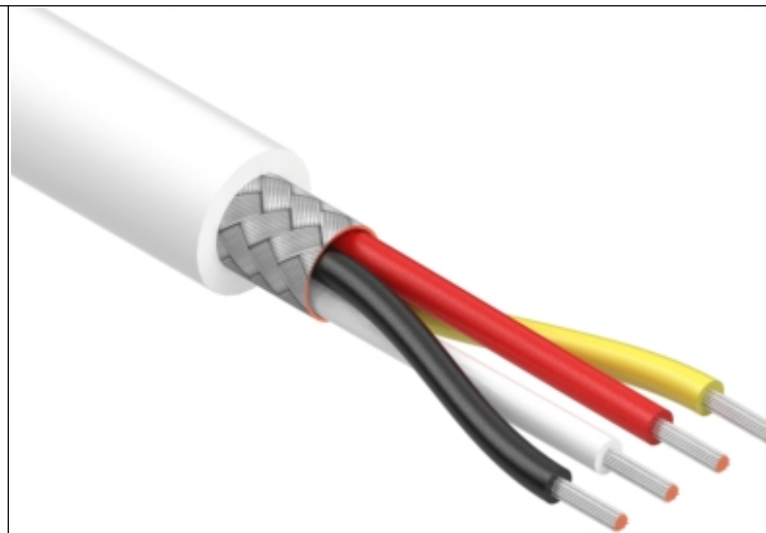
Outer jacket


Material: TPE, 70A
 Color: white
 Diameter: $\varnothing 4.5 \pm 0.30$ mm
 Nominal thickness: 0.67 mm

Wire marking: TENSILITY 24 AWG 30V 80°C 30-00824

Tests

Before aging:
 Insulation tensile strength: 1.05 kgf/mm²
 Jacket tensile strength: 0.84 kgf/mm²
 Minimum jacket elongation >200 % original
 Minimum insulation elongation >100 % original
 Heat shock: 150 ± 1 °C /1 hour, no observed degradation
 Deformation: 121 ± 1 °C /1 hour, ≤ 50 %
 Cold bend: -10 ± 2 °C /1 hour, no observed cracking
 Dielectric test: 2000 Vac for 1 minute without breakdown



Revision:	Date:	Description:	Prepared:	Notes: RoHS and REACH compliant	<h1>TENSILITY</h1> <p>tel 1.541.323.3228 800 877.670.7118 fax 1.541.323.4202 web tensility.com</p>	
A	10/31/16	Initial release	Verified:			Function test: no open, no short circuit, no intermittent
			Dimensions are in millimeters. Tolerances: X: ± 0.5 mm X.X: ± 0.3 mm X.XX: ± 0.05 mm	Description:	Size: Part number:	
				Wire, 4C TS, 24 AWG, 30V, 80C, 4.5 mm, braid shield, TPE, 70A, white	A 30-00824	
				Scale: 15:1		Sheet 1 of 1