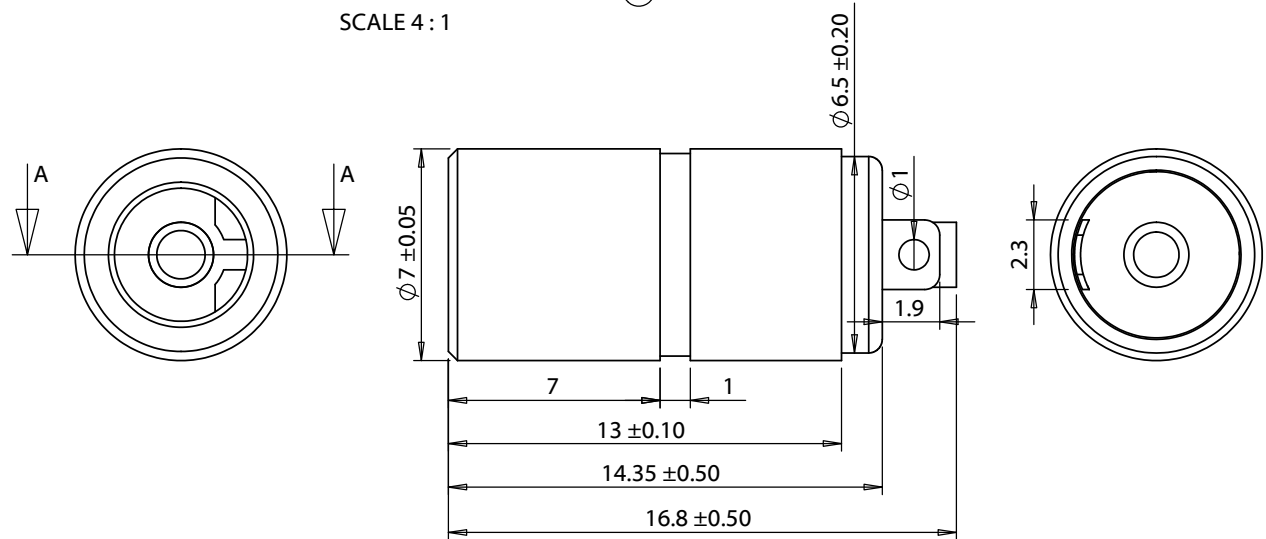
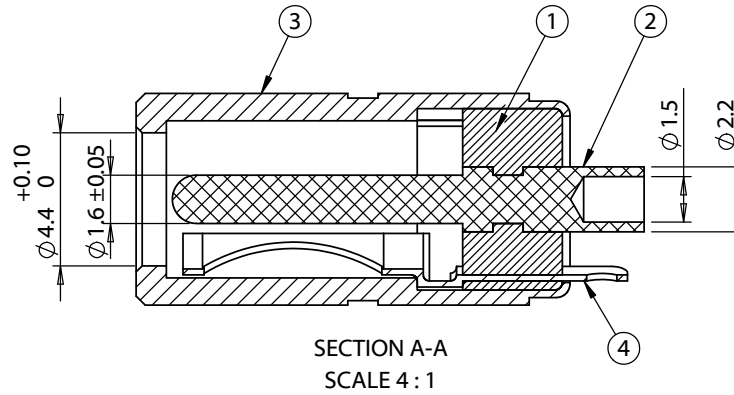


**Materials**

- ① Insulator: PBT, black
- ② Pin: brass, 2 μm nickel plated
- ③ Shell: brass, 2 μm nickel plated
- ④ Spring contact: beryllium copper, 2 μm nickel plated



Revision:	Date:	Description:	Prepared:	Notes:	<h1 style="margin: 0;">TENSILITY</h1> <p style="font-size: small; margin: 0;">tel 1.541.323.3228 800 877.670.7118 fax 1.541.323.4202 web tensility.com</p>	
A	4/25/2017	Initial release	Verified:	RoHS and REACH compliant Function test: no open, no short circuit, no intermittent		
			Dimensions are in millimeters. Tolerances: X: ± 0.5 mm X.X: ± 0.3 mm X.XX: ± 0.05 mm	Description:	Size: Part number:	
				Connector, dc jack, 4.0x1.7xL16.8 mm, brass nickel plated, molding style	A 50-00572	
				Scale: 5:1		Sheet 1 of 1