

Materials

Outer shell: C3604 brass, chrome nickel plating
Split insert carrier 1: C3604 brass, nickel-plated
Split insert carrier 2: C3604 brass, nickel-plated
Insulator: PPS (Polyphenylene sulfide) UL94 V-0, beige
Pin: C38500 brass, 0.2 µm gold-plated, solder cup style
Collet: C3604 brass, nickel-plated
Collet nut: C3604 brass, nickel-plating

Electrical Requirements

Breakdown voltage: 0.85 kV rms (contact to contact), 0.65 kV rms (contact to shell)
Dielectric strength: 1 min @ 500 Vac
Insulation resistance: 10,000 MΩ @ 500 Vdc
Contact resistance: 30 mΩ or less, 5000 cycles

Mechanical Requirements

Insertion force: 1.02 kgf average
Withdrawal force: 0.82 kgf average
Latch force: 18.4 kgf average
Life cycle: 5000 minimum mating cycles at 300 cycles per hour
Shock resistance: 100g, 6 ms
Resistance to vibration: 10-2000 Hz, 15g

Environmental Requirements

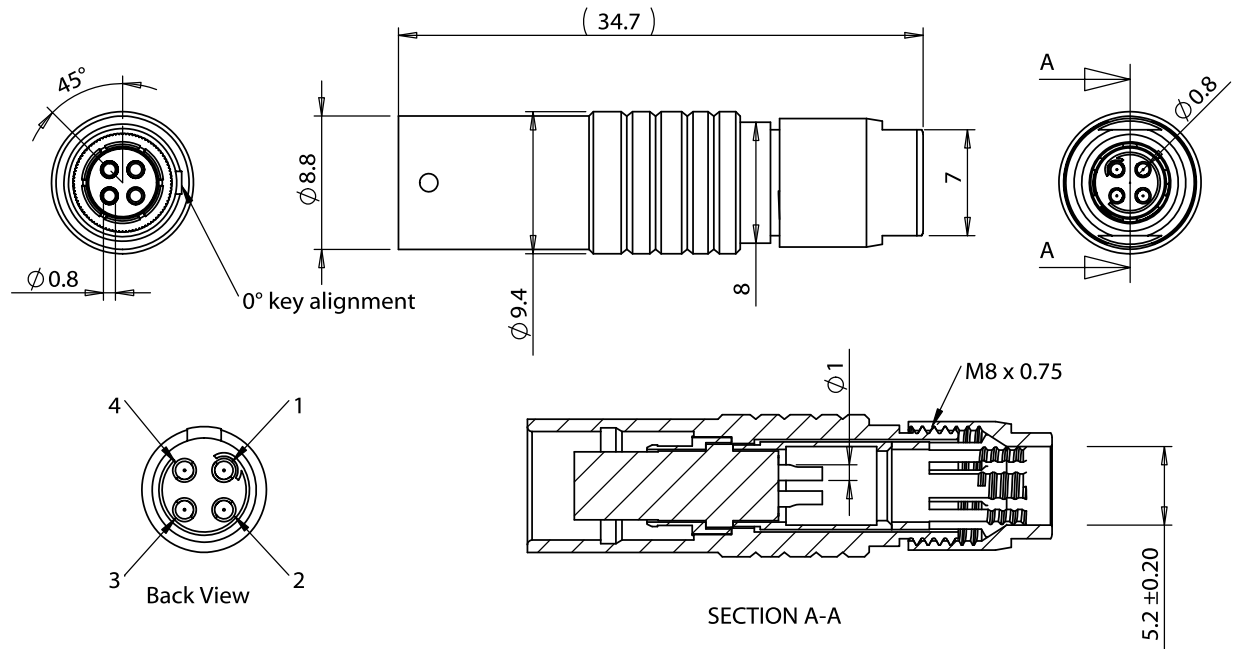
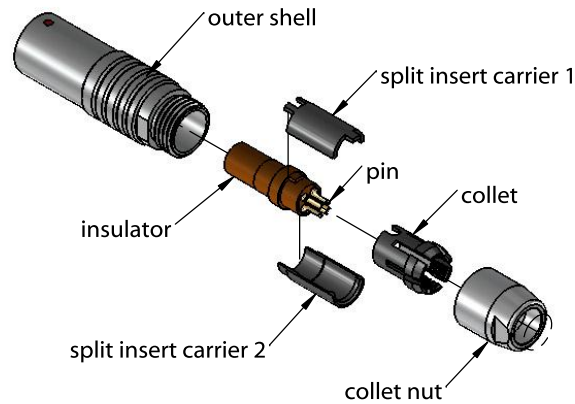
IP50 rating

Assembly info

Wire gauge: 24 AWG max (Ø0.60)
Max cable jacket Ø: 5.2 mm
Maximum collet nut tightening torque: 0.5 Nm

Mating info

Mates with PPL7 series plug (4 pin)



Revision:	Date:	Description:
A	12/13/2017	Initial release

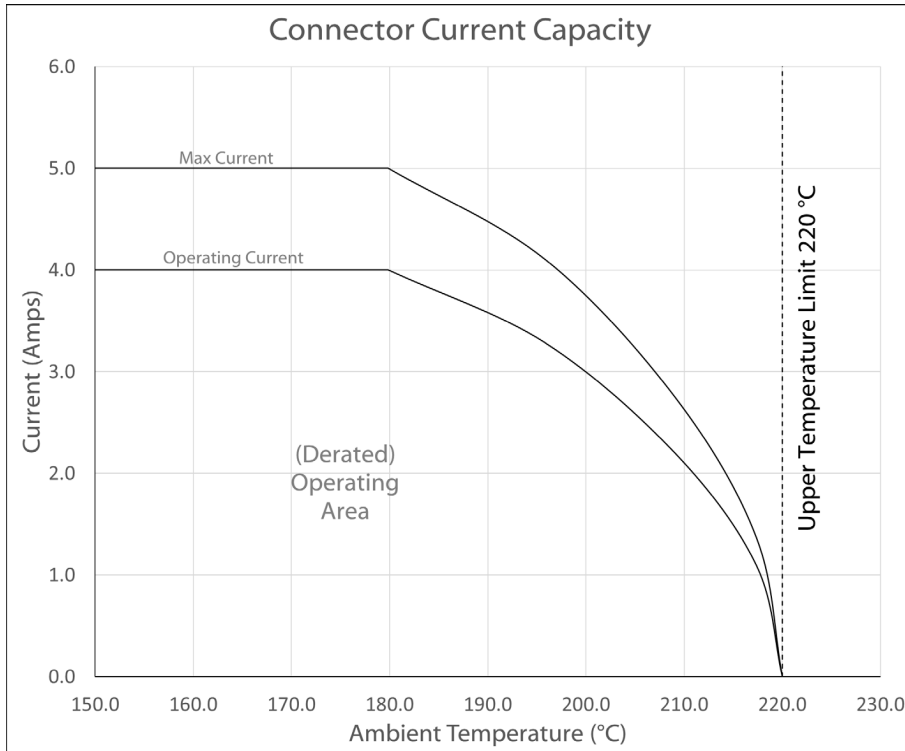
Prepared: AG <small>Digitally signed by AG Date: 2017.12.13 11:13:02 -08'00'</small>	Notes: RoHS compliant
Verified: LA <small>Digitally signed by LA Date: 2017.12.19 09:27:48 -08'00'</small>	Function test: no open, no short circuit, no intermittent
Dimensions are in millimeters. Tolerances: X: ± 0.5 mm X.X: ± 0.3 mm X.XX: ± 0.05 mm	Description: Connector, PPL7, 4C, 0° socket, 7x35 mm, chrome, solder, Ø4.2-5.2 mm wire

TENSILITY
tel 1.541.323.3228 800 877.670.7118
fax 1.541.323.4202 web tensility.com

Size: A	Part number: 51-00017.52
Scale: 2:1	Sheet 1 of 2

Ratings
 Voltage: 300 V
 Current: 4 A

Operating Temperature Range
 -55 to 220 °C



Testing based on IEC 60512-5-2. Max current curve generated with isolated test article under controlled environmental conditions, and does not take into account external factors such as housings, mating cables, or other circuitry. Operating current curve (derated by 20% of maximum values) accounts for external factors, and manufacturing variation.

Revision:	Date:	Description:	Prepared:	Notes:	TENSILITY tel 1.541.323.3228 800 877.670.7118 fax 1.541.323.4202 web tensility.com
A	12/13/2017	Initial release	AG <small>Digitally signed by AG Date: 2017.12.13 11:13:18 -08'00'</small>	RoHS compliant	
			Verified:	Function test: no open, no short circuit, no intermittent	Size: A
			Dimensions are in millimeters. Tolerances: X: ± 0.5 mm X.X: ± 0.3 mm X.XX: ± 0.05 mm	Description: Connector, PPL7, 4C, 0° socket, 7x35 mm, chrome, solder, Ø4.2-5.2 mm wire	Part number: 51-00017.52
					Scale: 2:1
					Sheet 2 of 2