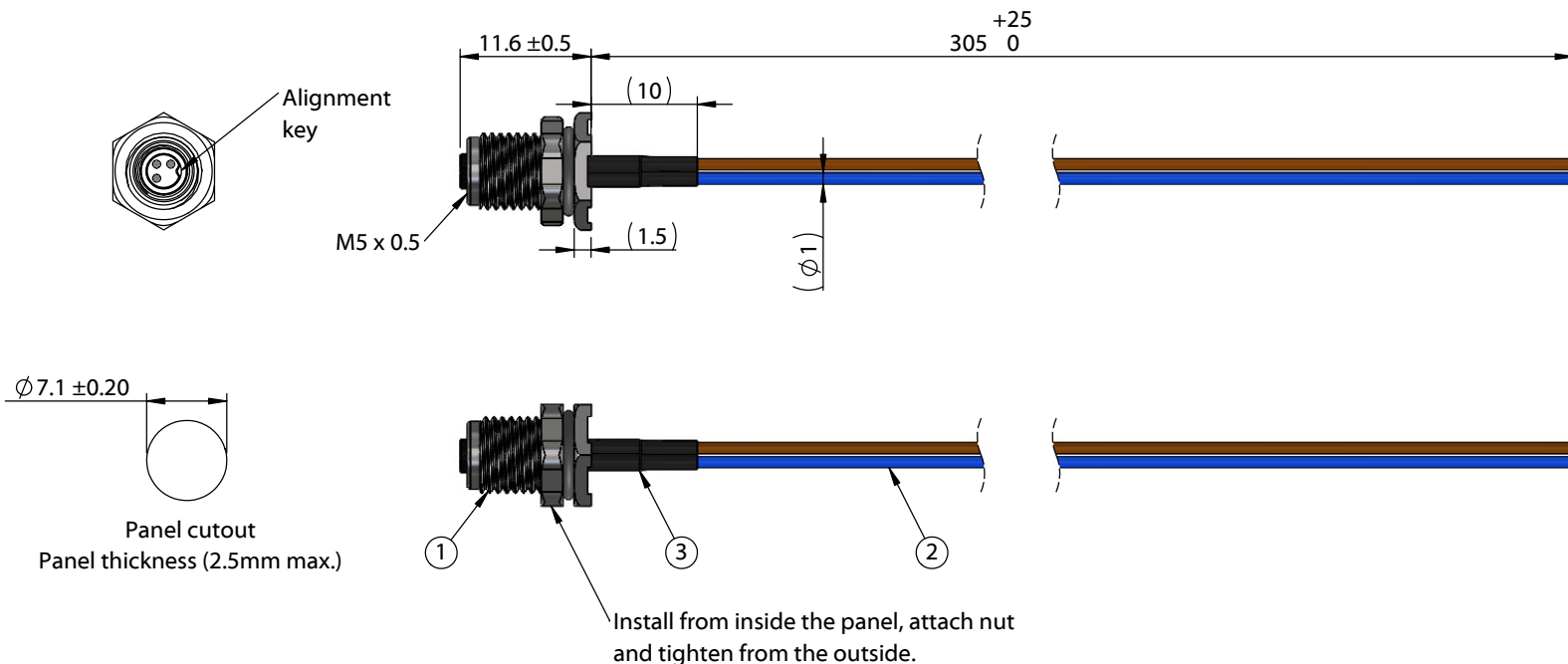


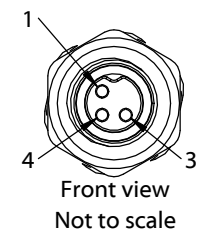
| ITEM NO. | PART NUMBER | DESCRIPTION | QTY. | COMPONENT NOTES |
|----------|-------------|---|------|---------------------------|
| 1 | 54-00104 | Connector, 3 pin M5 socket, 5xL13.7mm, gold plated, panel mount, solder cup, IP67 | 1 | nut and o-ring included |
| 2 | Wire | Wire, hook-up, TS, 26 AWG, UL 11028, 600V, 105C, 1 mm, mPPE | 3 | color: brown, blue, black |
| 3 | Heat shrink | Heat shrink, UL, black | 3 | covers solder joints |



Notes:
 Cable rated for 60 V, 1 A
 Temperature: -40 ~ 85 °C

IP67 waterproof rating when mated with corresponding (IP67) connector and installed properly in panel

Cables individually packaged in PE bag
 Functionally equivalent components may be substituted



| Wiring Diagram | |
|----------------|------------------|
| 54-00104 | wire color (P/N) |
| 1 | brown (30-01781) |
| 3 | blue (30-01776) |
| 4 | black (30-01773) |

| | | | | |
|-----------|------------|-----------------|--|--|
| Revision: | Date: | Description: | Prepared: | Notes: RoHS compliant |
| A | 11/11/2022 | Initial release | Verified: | |
| | | | Dimensions are in millimeters. Tolerances: X: ± 0.5 mm X.X: ± 0.3 mm X.XX: ± 0.05 mm | Function test: no open, no short circuit, no intermittent |
| | | | | Description: Cable, 305 mm, M5 3C socket panel mount 54-00104 to blunt cut, 26 AWG, UL 11028 hook-up wire |

TENSILITY

tel 1.541.323.3228 800 877.670.7118
 fax 1.541.323.4202 web tensility.com

| | |
|--------------|--------------|
| Size: | Part number: |
| A | 10-05279 |
| Scale: 1.5:1 | Sheet 1 of 1 |

To see a custom version of this cable assembly, call Tensility at 541-323-3228 or email engineering@tensility.com