

Ratings

Voltage: 300 V
 Temperature: -40~80 °C
 Flammability: FT2

Conductor

Conductor count: 10
 Gauge: 24 AWG 0.2 mm²
 Material: bare copper
 Strand size: ϕ 0.1x26 mm
 Resistance at 20 °C: 87.5 Ω /km max

Insulator

Material: TPE 85A
 Color: red, black, white, yellow, blue, green, orange, purple, gray, brown
 Diameter: ϕ 1.1 \pm 0.10 mm
 Nominal thickness: 0.24mm
 Resistance at 20 °C: 100 M Ω /km min

Wrap

Material: cotton paper

Outer jacket

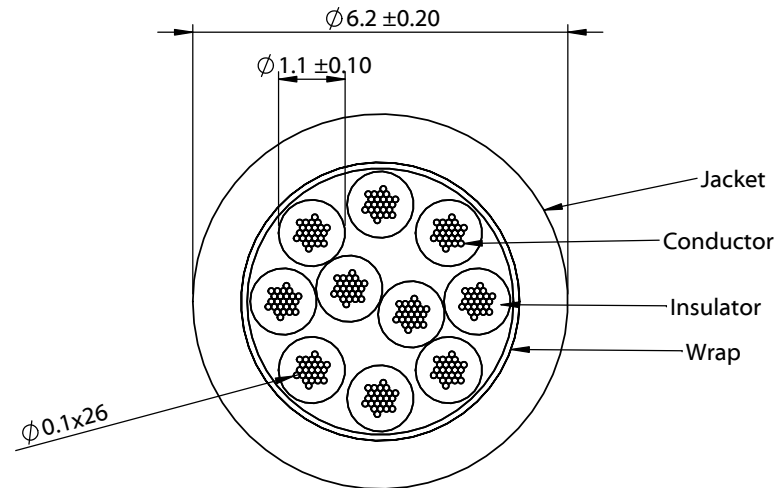
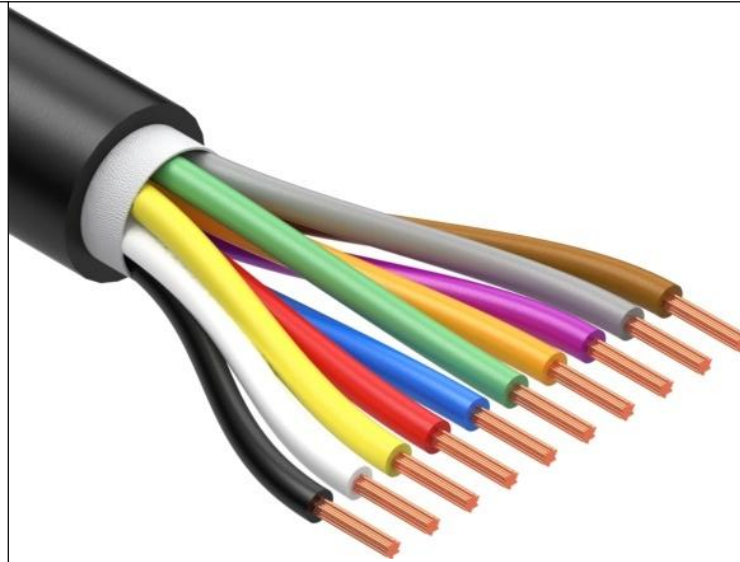
Material: TPU (Polyether Polyurethane) 80A
 Color: black
 Diameter: ϕ 6.2 \pm 0.20 mm
 Nominal thickness: 0.76mm

Wire marking

E339579 UL AWM STYLE 20280 24 AWG 80°C 300V --- cUL
 AWM I/II A 80°C 300V FT2 TENSILITY

Tests

Spark test: 3.0 kV
 Insulation tensile strength: 0.562 kgf/mm²
 Jacket tensile strength: 1.05 kgf/mm²
 After aging at 113 \pm 2 °C for 7 days:
 Minimum jacket tensile strength 70 % original
 Minimum insulation tensile strength 75 % original
 Minimum jacket elongation 65 % original
 Minimum insulation elongation 75 % original
 Heat shock: 121 \pm 1 °C /1 hour, no observed degradation
 Deformation: 121 \pm 1 °C /1 hour, \leq 50 %
 Cold bend: -10 \pm 2 °C /1 hour, no observed cracking
 Dielectric test: 2000 Vac for 1 minute without breakdown



Revision:	Date:	Description:	Prepared:	Notes:	TENSILITY tel 1.541.323.3228 800 877.670.7118 fax 1.541.323.4202 web tensility.com
A	11/09/2022	Initial release	Verified:	RoHS compliant Phthalate and halogen free	
			Dimensions are in millimeters. Tolerances: X: \pm 0.5 mm X.X: \pm 0.3 mm X.XX: \pm 0.05 mm	Function test: no open, no short circuit, no intermittent	Size: Part number: A 30-02402
				Description: Wire, 10C BC, 24 AWG, UL20280, 300V, 80C, 6.2 mm, FT2, TPU	Scale: 8:1 Sheet 1 of 1

5

↑

4

3

2

1